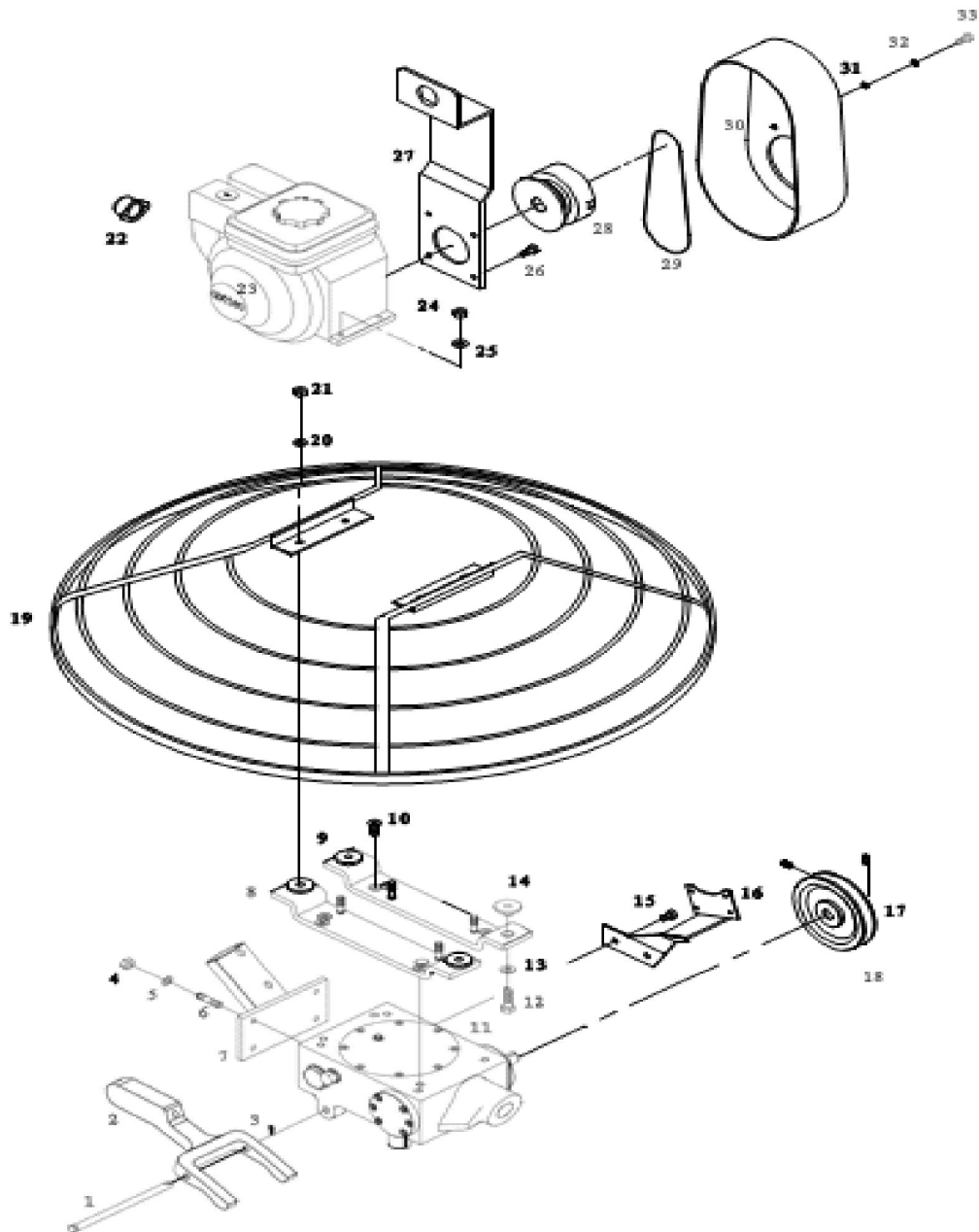


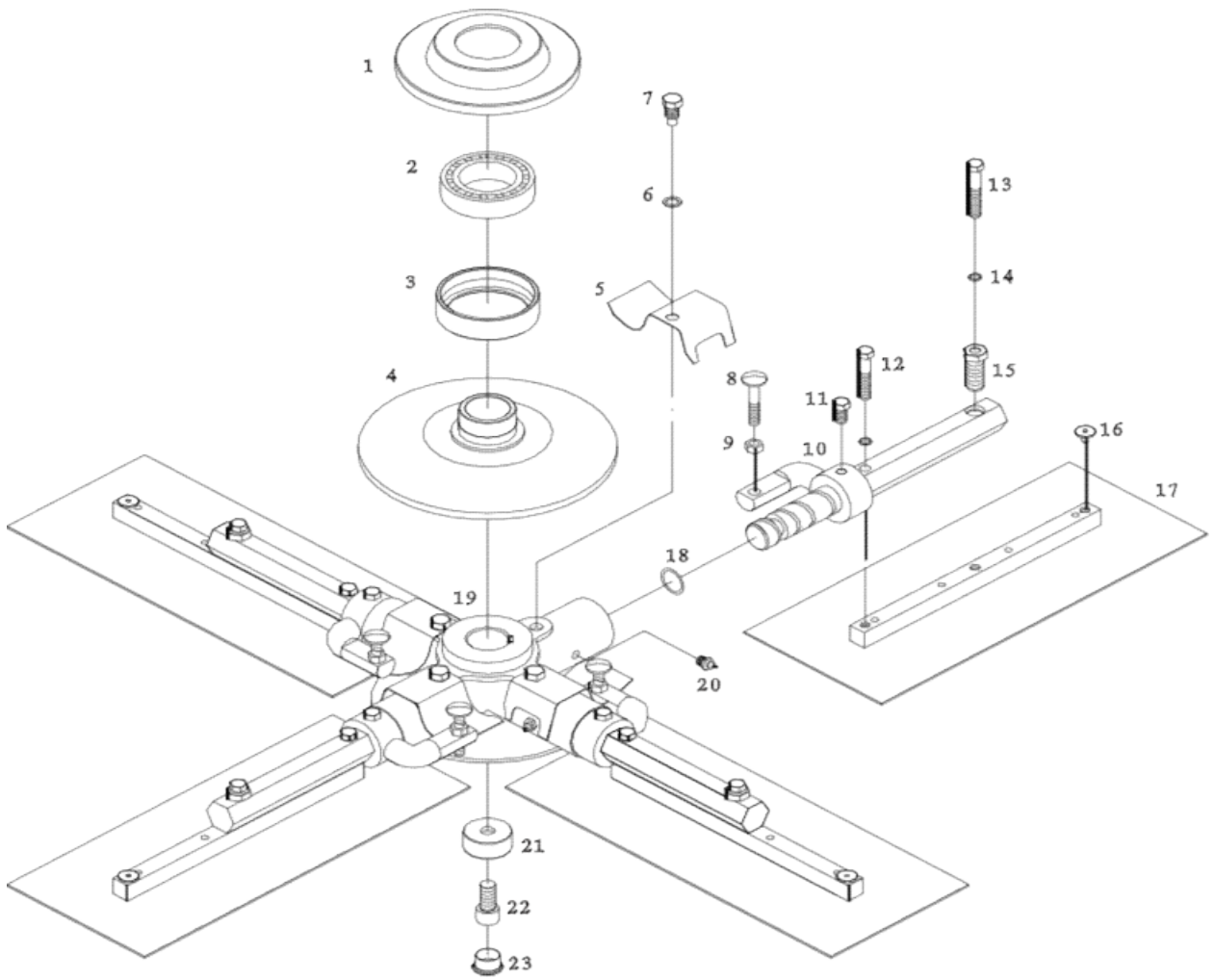


# WT36 Parts List

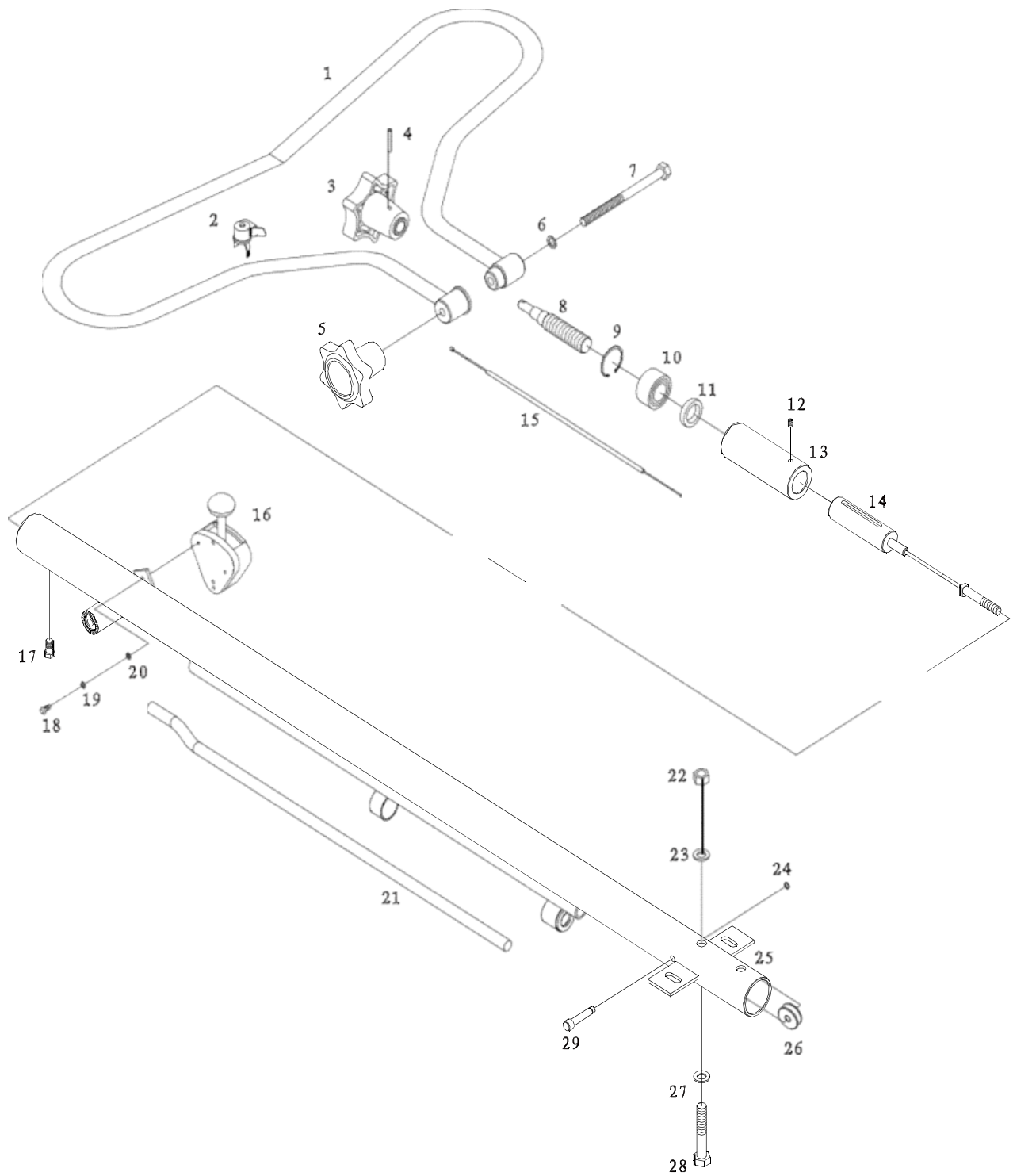
# WT36



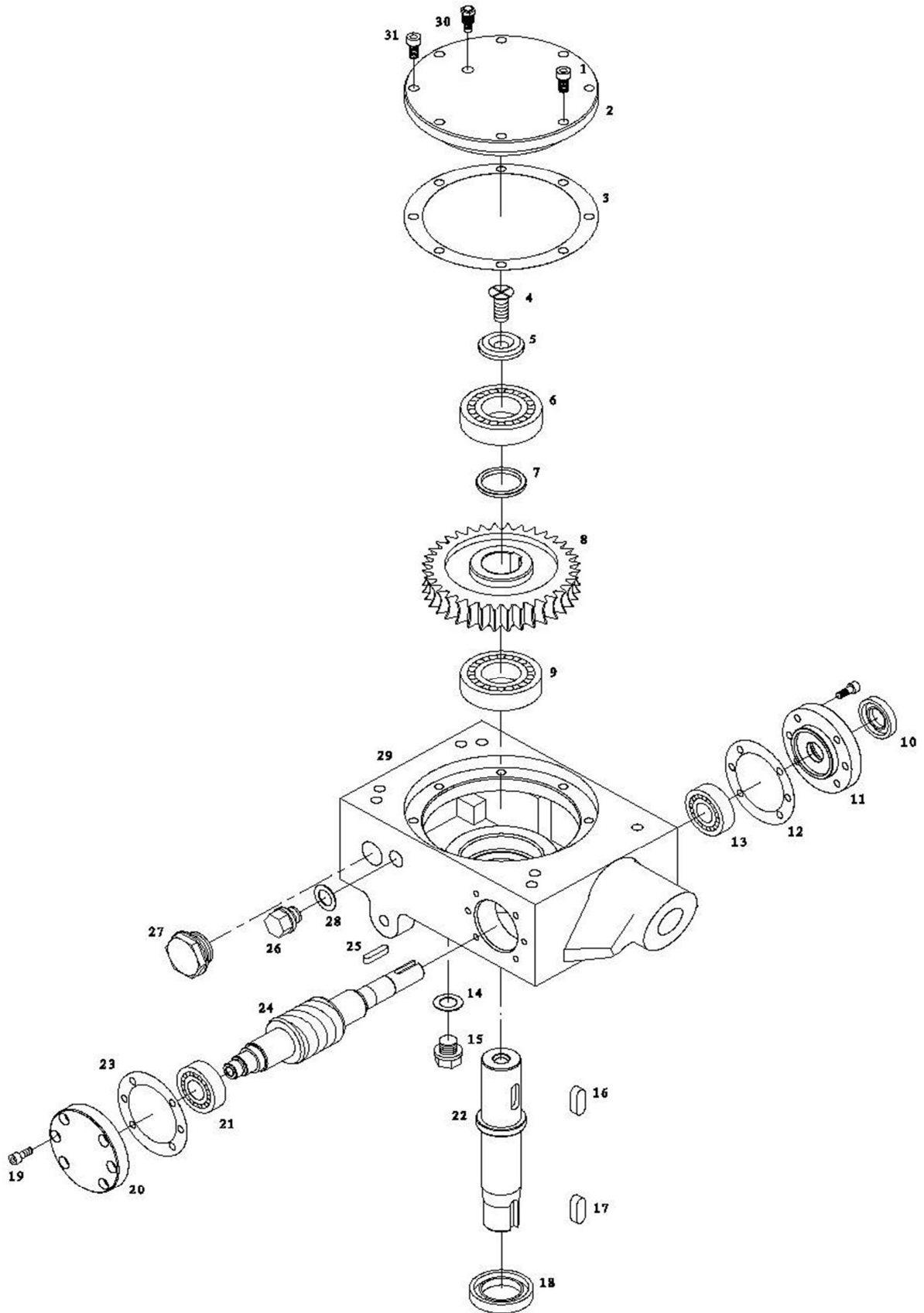
NO.	CODE	DRAWING NO.	NAME	QUANTITY
1	10001	QJM1000-06	Pin	1
2	10002	QJM1000-05	Yoke arm	1
3	10003	GB/T91-1976	Retaining ring3×20	1
4	10004	GB/T6182-2000	lock Nut M10	4
5	10005	GB/T95-1985	Washer 10	4
6	10006	GB/T901-1998	Stud M10×45	4
7	10007	QJM1000-21	Handle bracket	1
8	10008	QJM1000-12	Mounting rails I	1
9	10009	QJM1000-13	Mounting rails II	1
10	10010	GB/T70.3-2000	Screw M10×25	7
11	10011	QJM1000-09	Gearbox assembly	1
12	10012	GB/T5783-2000	Bolt M10×35	4
13	10013	GB/T95-1985	Gasket 10	4
14	10014	QJM1000-14	Shock mount	4
15	10015	GB/T5783-2000	Bolt M8×16	2
16	10016	QJM1000-19	Belt-mounting plate	1
17	10017	QJM1000-17	Pulley	1
18	10018	GB/T77-2000	Screw M8×16	2
19	10019	QJM1000-03	Guard ring	1
20	10020	GB/T95-1985	Washer10	4
21	10021	GB/T6182-2000	Lock nut M10	4
22	10022		Releaser hood	1
23	10023		Engine GX160	1
24	10024	GB/T6182-2000	lock Nut M8	4
25	10025	GB/T95-1985	Washer 8	4
26	10026		Bolt 5/16" ×20	4
27	10027		Hoist hook	1
28	10028	QJM1000-16	Clutch A	1
29	10029		Belt A-27	1
30	10030	QJM1000-18	Belt guard	1
31	10031	GB/T95-1985	Washer 6	4
32	10032	GB/T93-1987	Gasket 6	4
33	10033	GB/T5783-2000	Bolt M6×20	4



NO.	CODE	DRAWING NO.	NAME	QUANTITY
1	10034	QJM1000-08	Pressure plate cap	1
2	10035	GB/T301-1995	Bearing 51209	1
3	10036	QJM1000-07	Bushing	1
4	10037	QJM1000-04	Pressure plate	1
5	10038	QJM1000-02-04	Spring	4
6	10039	GB/T95-1985	Washer 10	4
7	10040		Screw	4
8	10041	QJM1000-02-06	Carriage bolt	4
9	10042	GB/T6170-2000	Nut M8	4
10	10043	QJM1000-02-01	Trowel arm	4
11	10044	GB/T5783-2000	Bolt M8×16	4
12	10045	GB/T5783-2000	Bolt M8×40	4
13	10046	GB/T5783-2000	Bolt M8×50	4
14	10047	GB/T93-1987	Gasket 8	8
15	10048	QJM1000-02-10	Bushing	4
16	10049		Bushing	4
17	10050	QJM1000-01	Trowel blade assembly	4
18	10051	GB/T1235-1976	O-ring 30×2.4	4
19	10052	QJM1000-02-03	Spider plate	1
20	10053	JB/T7940.1-1999	Grease fitting M8×1	4
21	10054	QJM1000-02-05	Retainer	1
22	10055	GB/T70.1-2000	Screw M12×25	1
23	10056		Cap plug	1



NO.	CODE	DRAWING NO.	NAME	QUANTITY
1	10057	QJM1000-10	Handle	1
2	10058		Throttle control	1
3	10059	QJM1000-20-01	Wheel II	1
4	10060	GB/T879-2000	Pin 5×35	1
5	10061	QJM1000-15	Wheel I	1
6	10062	GB/T93-1987	Gasket 10	1
7	10063	GB/T5783-2000	Bolt M10×200	1
8	10064	QJM1000-20-02	Threaded rod	1
9	10065	GB/T893.1-1988	Retaining ring 35	1
10	10066	GB/T276-64	Bearing 51203	1
11	10067	QJM1000-20-10	Washer	1
12	10068	GB/T73-1985	Screw M6×8	1
13	10069	QJM1000-20-04	Bushing	1
14	10070		Throttle cable	1
15	10071	QJM1000-22	Cable-throttle	1
16	10072	QJM1000-11	Deadman switch	1
17	10073	GB/T5783-2000	BoltM8×12	1
18	10074	GB/T818-2000	Screw M5×12	2
19	10075	GB/T93-1987	Gasket 5	2
20	10076	GB/T95-1985	Washer 5	2
21	10077	QJM1000-20-09	Carry bar	1
22	10078	GB/T6170-2000	lock Nut M12	2
23	10079	GB/T95-1985	Washer 12	2
24	10080	GB/T894.1-1988	Retaining ring 8	1
25	10081	QJM1000-20-06	Rigid handle	1
26	10082	QJM1000-20-07	Pulley	1
27	10083	GB/T93-1987	Gasket 12	2
28	10084	GB/T5783-2000	Bolt M12×80	2
29	10085	QJM1000-20-08	Pin	1





NO.	CODE	DRAWING NO.	NAME	QUANTITY
1	1001001	GB/T70.1-2000	Screw M8×16	8
2	1001002	QJM1000-09-01	Large Flange	1
3	1001003	QJM1000-09-02	Large-Flange washer	1
4	1001004	GB/T820-2000	Screw M12×25 LF	1
5	1001005	QJM1000-09-04	Washer	1
6	1001006	GB/T297-1994	Bearing 30207	1
7	1001007	QJM1000-09-05	Spacer	1
8	1001008	QJM1000-09-06	Worm Gear	1
9	1001009	GB276-64	Bearing 207	1
10	1001010		Oil Seal NAK20×40×7	1
11	1001011	QJM1000-09-12B	End Cap	1
12	1001012	QJM1000-09-13	Washer	
13	1001013	GB/T297-1994	Bearing 30304	1
14	1001014		Washer 16 (Cu)	1
15	1001015		Drain plugM16×1.5	1
16	1001016	GB/T1095-1979	Key 10×8×28	1
17	1001017	GB/T1095-1979	Key 10×8×28	1
18	1001018		Oil Seal NAK35×54×8	1
19	1001019	GB/T70.1-2000	Screw M6×16	12
20	1001020	QJM1000-09-10B	Flange	1
21	1001021	GB276-64	Bearing6304	1
22	1001022	QJM1000-09-08	Main Shaft	1
23	1001023	QJM1000-09-13	Washer	
24	1001024	QJM1000-09-12	Worm Shaft	1
25	1001025	GB/T1095-1979	Key 6×6×32	1
26	1001026		Fill plug M16×1.5	1
27	1001027	QJM1000-09-09	Sight Plug	1
28	1001028		Washer 16 (Cu)	1
29	1001029	QJM1000-09-07B	Gearbox	1
30	1001030	QJM1000-09-03	Relief Valve	1
31	1001031	GB/T70.1-2000	Screw M8×20	7