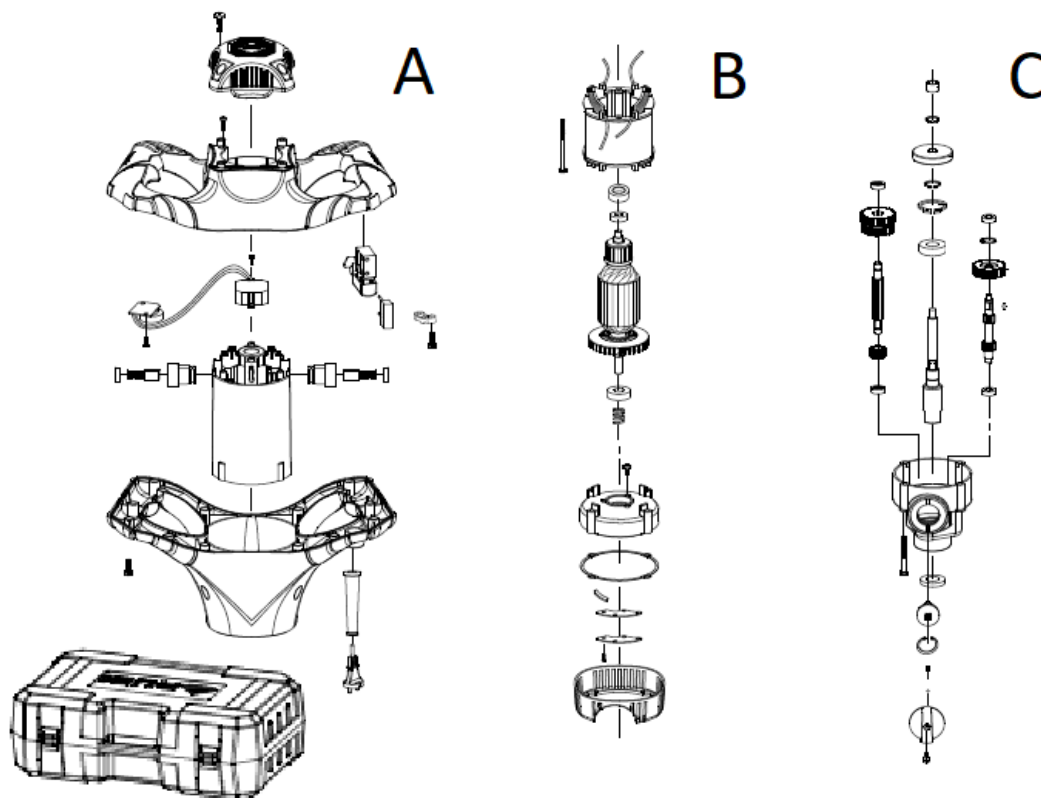


# RUBIMIX-9 SUPERTORQUE



1000043759 00 27/01/2021

Página 1 de 4

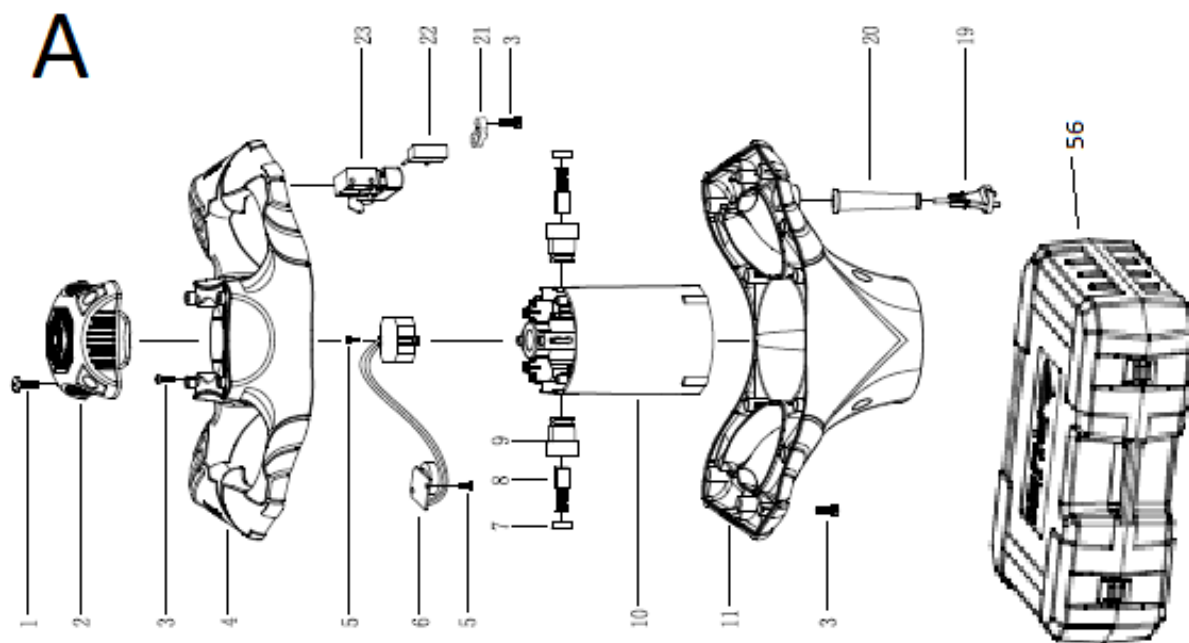


| Part-list | ES | EN      | Prod.   |
|-----------|----|---------|---------|
| 1         | A  | GRUPO A | GROUP A |
| 2         | B  | GRUPO B | GROUP B |
| 3         | C  | GRUPO C | GROUP C |

| Prod. | ES                                       | EN                                      | From serial num. |
|-------|--|---|------------------|
| 26970 | RUBIMIX-9 SUPERTORQUE 230V 50/60HZ       | RUBIMIX-9 SUPERTORQUE 230V 50/60HZ      | -                |
| 26971 | RUBIMIX-9 SUPERTORQUE 110V 50/60HZ UK    | RUBIMIX-9 SUPERTORQUE 110V 50/60HZ UK   | -                |
| 26972 | RUBIMIX-9 SUPERTORQUE 220V 50/60HZ UK    | RUBIMIX-9 SUPERTORQUE 220V 50/60HZ UK   | -                |
| 26973 | RUBIMIX-9 SUPERTORQUE 120V USA+CHUCK     | RMIX-9 SUPERTORQUE 120V 50/60 USA+CHUCK | -                |
| 26974 | RUBIMIX-9 SUPERTORQUE 230V C/MALETA      | RUBIMIX-9 SUPERTORQUE 230V W/CASE       | -                |
| 26975 | RUBIMIX-9 SUPERTORQUE 230V Y PORTABROCAS | RUBIMIX-9 SUPERTORQUE 230V W/CHUCK      | -                |

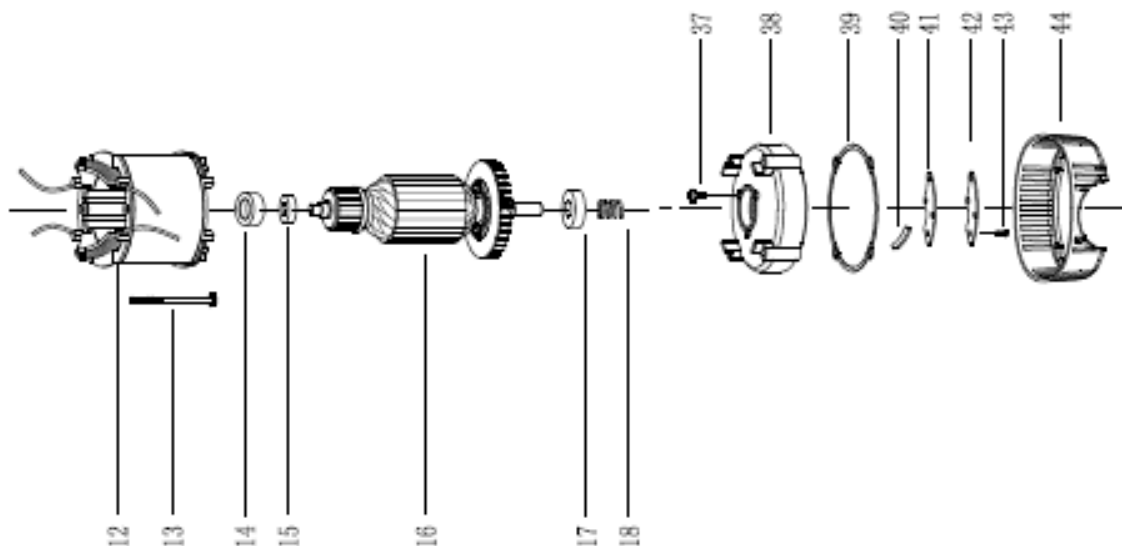
Queda reservado el derecho de introducir cualquier modificacion técnica sin previo aviso

We reserve the right to introduce any technical modification without previous notice



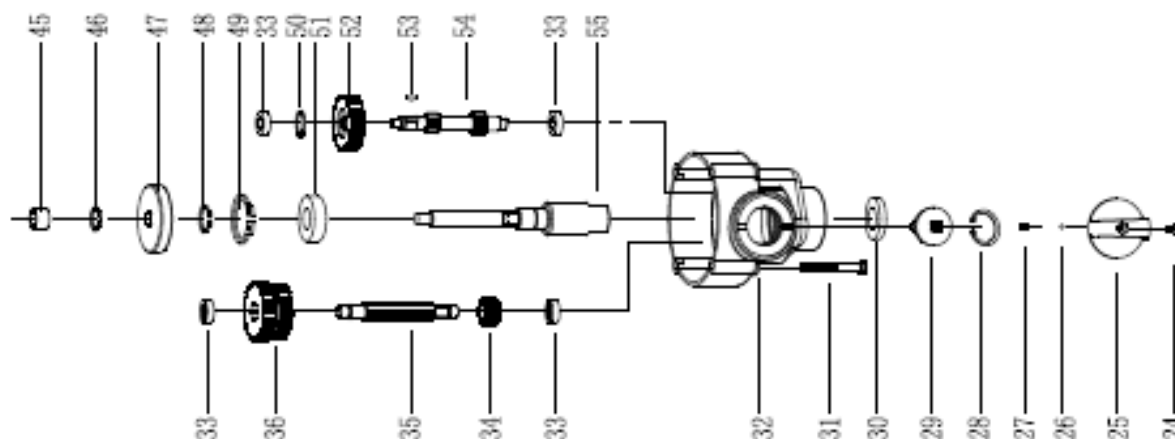
| Part-list | ES       | EN                                       | Prod.                               |                   |
|-----------|----------|--|-------------------------------------|-------------------|
| 1         | 26198 4  | TORN ST4,8X14 6.8 ZN                     | SCREW ST4,8X14 6.8 ZP               |                   |
| 2         | 26341 1  | TAPA TRASERA RUBIMIX SUPERTORQUE         | REAR COVER RUBIMIX SUPERTORQUE      |                   |
| 3         | 24345 14 | TORN ST3,9X14                            | SCREW ST3,9X14                      |                   |
| 4         | 26343 1  | MANGO SUPERIOR RUBIMIX SUPERTORQUE       | UPPER HANDLE RUBIMIX SUPERTORQUE    |                   |
| 5         | 51607 4  | TORN ST2,9X8                             | SCREW ST2,9X8                       |                   |
| 6         | 26345 1  | CONTROL VELOCIDAD RUBIMIX SUPERTORQUE    | E-SPEED CONTROL RUBIMIX SUPERTORQUE |                   |
| 7         | 24507 2  | JUEGO TAPA PORTAESCOB.RMIX-9N/PLUS (2U)  | BRUSH HOLDER COVER RUBIMIX-9N       |                   |
| 8         | 24532 2  | JUEGO ESCOB.RMIX-9N 230V/PLUS (2 UN)     | CARBON BRUSHER SET RUBIMIX-9N 230V  |                   |
| 9         | 24509 2  | JUEGO PORTAESCOB.RMIX-9N/PLUS (2 UN)     | BRUSHER HOLDER RUBIMIX-9N           |                   |
| 10        | 26346 1  | CARCASA MOTOR RUBIMIX SUPERTORQUE        | MOTOR HOUSE RUBIMIX SUPERTORQUE     |                   |
| 11        | 26348 1  | MANGO INFERIOR RUBIMIX SUPERTORQUE       | LOWER HANDLE RUBIMIX SUPERTORQUE    |                   |
| 19        | 26354 1  | ENCHUFE CABLE 230V 2X1MM 3M VDE          | POWER PLUG 230V 2X1MM 3M VDE        | 26970, 74, 75     |
| 19        | 26342 1  | ENCHUFE CABLE 230V 2X1MM 3M UK           | POWER PLUG 230V 2X1MM 3M UK         | 26972             |
| 19        | 26367 1  | ENCHUFE CABLE 110V 2X1MM 3M UK           | POWER PLUG 110V 2X1MM 3M UK         | 26971             |
| 19        | 26369 1  | ENCHUFE CABLE 120V 2X1MM 3M USA          | POWER PLUG 120V 2X1MM 3M USA        | 26973             |
| 20        | 25734 1  | PROTECCION CABLE RUBIMIX-9-N             | CORD GUARD RMIX-9-N                 |                   |
| 21        | 25114 1  | FIJACION CABLE RUBIMIX-9                 | CORD CAMP RMIX-9-BL                 |                   |
| 22        | 24385 1  | CONDENSADOR RUBIMIX-16 ERGOMAX           | CAPACITOR RUBMIX-16 ERGOMAX         |                   |
| 23        | 26356 1  | INTERRUPTOR 230V 10A RUBIMIX SUPERTORQUE | SWITCH 230V 10A RUBIMIX SUPERTORQUE | 26970, 72, 74, 75 |
| 23        | 26368 1  | INTERRUPTOR 110V 10A RUBIMIX SUPERTORQUE | SWITCH 110V 10A RUBIMIX SUPERTORQUE | 26971, 73         |
| 56        | 26365 1  | MALETA RUBIMIX SUPERTORQUE               | CASE RUBIMIX SUPERTORQUE            | 26974             |

## B



| Part-list | ES      | EN                                      | Prod.                            |                   |
|-----------|---------|---|----------------------------------|-------------------|
| 12        | 26339 1 | ESTATOR 110V RUBIMIX SUPERTORQUE        | STATOR 110V RUBIMIX SUPERTORQUE  | 26971, 73         |
| 12        | 26350 1 | ESTATOR 230V RUBIMIX SUPERTORQUE        | STATOR 230V RUBIMIX SUPERTORQUE  | 26970, 72, 74, 75 |
| 13        | 51537 2 | TORN ST4,8X70                           | SCREW ST4,8X70                   |                   |
| 14        | 25121 1 | FUNDA GOMA RUBIMIX-9                    | RUBBER LOOP RMIX-9-BL            |                   |
| 15        | 25122 1 | RODAMIENTO 6000                         | BEARING 6000                     |                   |
| 16        | 26352 1 | ROTOR 230V RUBIMIX SUPERTORQUE          | ROTOR 230V RUBIMIX SUPERTORQUE   | 26970, 72, 74, 75 |
| 16        | 26366 1 | ROTOR 110V RUBIMIX SUPERTORQUE          | ROTOR 110V RUBIMIX SUPERTORQUE   | 26971, 73         |
| 17        | 24365 1 | RODAMIENTO 6001 RUBIMIX-16 ERGOMAX      | BEARING 6001 RUBIMIX-16 ERGOMAX  |                   |
| 18        | 24366 1 | MUELLE POS.22 RUBIMIX-16 ERGOMAX        | SPRING POS.22 RUBIMIX-16 ERGOMAX |                   |
| 37        | 25572 3 | TORN M4X6 ST RUBIMIX-9 PLUS             | SCREW M4X6 ST RMIX-9-BL PLUS     |                   |
| 38        | 26360 1 | TAPA MOTOR RUBIMIX SUPERTORQUE          | MOTOR COVER RUBIMIX SUPERTORQUE  |                   |
| 39        | 26361 1 | JUNTA ESTANQUEIDAD RMIX SUPETORQUE P.39 | OIL WASHER RMIX SUPETORQUE P.39  |                   |
| 40        | 25577 1 | MECHA ENGRASE 5X5X40                    | GREASE WICK 5X5X40               |                   |
| 41        | 26362 1 | JUNTA ESTANQUEIDAD RMIX SUPETORQUE P.41 | OIL WASHER RMIX SUPETORQUE P.41  |                   |
| 42        | 26363 1 | TAPA ACEITE RUBIMIX SUPETORQUE          | OIL COVER RUBIMIX SUPETORQUE     |                   |
| 43        | 25581 4 | TORN M3X10 RUBIMIX-9 PLUS               | SCREW M3X10 RMIX-9-BL PLUS       |                   |
| 44        | 26364 1 | TAPA VENTILACION RUBIMIX SUPETORQUE     | WIND COVER RUBIMIX SUPETORQUE    |                   |

C



| Part-list | ES      | EN                                       | Prod.                                    |
|-----------|---------|--|--|
| 24        | 25125 1 | TORN M4X12                               | SCREW M4X12                              |
| 25        | 25180 1 | SELECTOR VELOCIDAD RUBIMIX-9N/E10/PLUS   | GEARBOX SPEED KNOB RUBIMIX-9N/E10/PLUS   |
| 26        | 25178 2 | BOLA RODAMIENTO Ø4                       | BEARING STEEL BALL Ø4                    |
| 27        | 25179 2 | MUELLE COMPRESION 4,5X7 Ø0,5             | COMPRESSION SPRING 4,5X7 Ø0,5            |
| 28        | 25176 1 | ANILLO DIN 472 Ø 27                      | CIRCLIP DIN 472 Ø 27                     |
| 29        | 25175 1 | EXCENTRICA SELEC.VEL. RMIX-9N/E10/PLUS   | SPEED SHIFT CAM RUBIMIX-9N/E10/PLUS      |
| 30        | 24508 1 | RETEN GRASA Ø21X26X5                     | SHAFT GREASE SEAL Ø21X26X5               |
| 31        | 26358 4 | TORN ST4,8X80                            | SCREW ST4,8X80                           |
| 32        | 26359 1 | CAJA ENGRANAJES RUBIMIX SUPERTORQUE      | GEARBOX RUBIMIX SUPERTORQUE              |
| 33        | 25210 4 | RODAMIENTO 698Z                          | BEARING 698Z                             |
| 34        | 25589 1 | ENGRANAJE INICIAL CL.III RUBIMIX-9 PLUS  | INITIATIVE GEAR CLASS III RMIX-9-BL PLUS |
| 35        | 25590 1 | ENGRANAJE IMPULSOR CL.III RUBIMIX-9 PLUS | DRIVEN GEAR CL.III RMIX-9-BL PLUS        |
| 36        | 25591 1 | ENGRANAJE IMPULSOR CL.II RUBIMIX-9 PLUS  | DRIVEN GEAR CL.II RMIX-9-BL PLUS         |
| 45        | 25594 1 | RODAMIENTO HK1010                        | BEARING HK1010                           |
| 46        | 25593 1 | ANILLO 15MM RUBIMIX-9 PLUS               | CIRCLIP 15MM RMIX-9-BL PLUS              |
| 47        | 25592 1 | ENGRANAJE GRANDE RUBIMIX-9 PLUS          | BIG GEAR RMIX-9-BL PLUS                  |
| 48        | 25597 1 | ANILLO 17MM RUBIMIX-9 PLUS               | CIRCLIP 17MM RMIX-9-BL PLUS              |
| 49        | 25598 1 | ANILLO 35MM RUBIMIX-9 PLUS               | CIRCLIP 35MM RMIX-9-BL PLUS              |
| 50        | 25202 1 | ANILLO ELAST.Ø 10 RMIX-9 DUP             | CIRCLIP DIA.10 RMIX-9 DUP                |
| 51        | 25599 1 | RODAMIENTO 6003 2Z                       | BEARING 6003 2Z                          |
| 52        | 25600 1 | ENGRANAJE IMPULSOR CL.I RUBIMIX-9 PLUS   | DRIVEN GEAR CL.I RMIX-9-BL PLUS          |
| 53        | 51721 1 | CHAVETA DIN 6888 3X3,7X10                | WOODRUFF KEY DIN 6888 3X3,7X10           |
| 54        | 25601 1 | EJE ENGRANAJE CL.II RUBIMIX-9 PLUS       | GEAR SHAFT CL.II RMIX-9-BL PLUS          |
| 55        | 25602 1 | PASADOR POS.60 RUBIMIX-9 PLUS            | SPINDLE POS.60 RMIX-9-BL PLUS            |