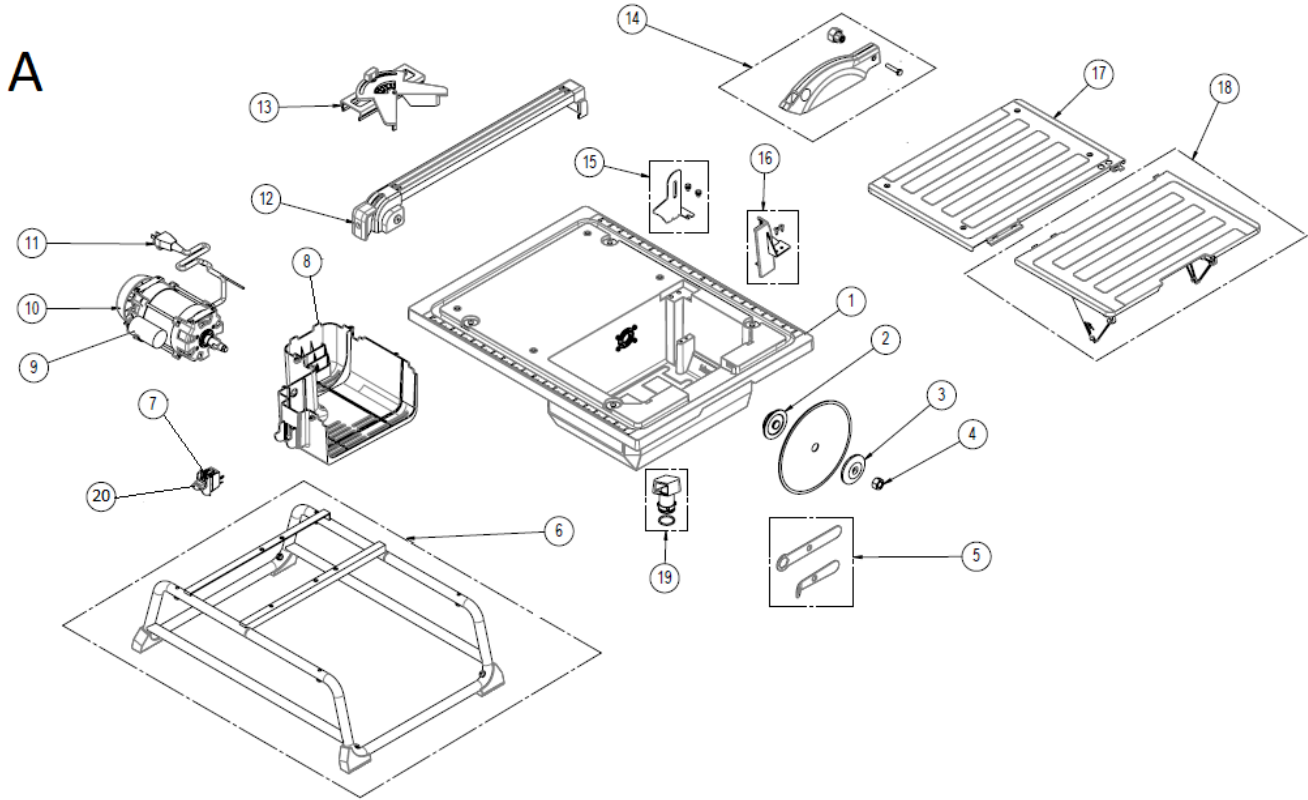


Part-list	ES	EN	Prod.
1	A	ND 7IN READY	ND 7IN READY

Prod.	ES	EN	From serial num.
45985	ND-7 IN. READY 120V 60HZ USA	ND-7 IN. READY 120V 60HZ USA	-

Queda reservado el derecho de introducir cualquier modificacion técnica sin previo aviso

We reserve the right to introduce any technical modification without previous notice



Part-list	ES	EN	Prod.
1	45200 1	DEPOSITO DE AGUA ND READY	WATER TANK ND READY
2	45207 1	PLATO INTERIOR DISCO ND READY	BLADE INNER WASHER ND READY
3	45212 1	PLATO EXTERNO DISCO ND READY	BLADE OUTER WASHER ND READY
4	45213 1	TUERCA DEL EJE ND READY	SHAFT NUT ND READY
5	45216 1	CONJUNTO DE HERRAMIENTAS ND READY	TOOLS SET ND READY
6	45217 1	CONJUNTO BASTIDOR ND READY	FRAME ASSEMBLY ND READY
7	45218 1	INTERRUPTOR ND READY	SWITCH ND READY
8	45219 1	CUBIERTA DEL MOTOR ND READY	MOTOR COVER ND READY
9	45221 1	CONDENSADOR ND READY	CAPACITOR ND READY
10	45223 1	MOTOR ND READY	MOTOR ND READY
11	45224 1	CABLE DE ALIMENTACIÓN ND READY	POWER CABLE ND READY
12	45225 1	TOPE LATERAL ND READY	FENCE ND READY
13	45227 1	GUIA ANGULAR ND READY	ANGLE GUIDE ND READY
14	45228 1	PROTECTOR CONTRA SALPICADURAS ND READY	SPLASH GUARD ASSEMBLY ND READY
15	45234 1	SOPORTE PROTECCOR SALPICADURAS ND READY	SPLASH GUARD SUPPORT ND READY
16	45237 1	PROTECTOR INTERNO ND READY	INNER GUARD ND READY
17	45238 1	MESA IZQUIERDA ND READY	LEFT TABLE ND READY
18	45239 1	MESA BASCULANTE ND READY	TILTING TABLE ASSEMBLY ND READY
19	45240 1	TAPON DE DRENAJE ND READY	DRAIN PLUG ND READY
20	45282 1	LLAVE BLOQUEO INTERRUPTOR ND	ND SWITCH LOCK KEY