



DIAMANT ND-200

REF.45910, 45.911,45.915,45.916,45.917,45.918,45.919,45.935

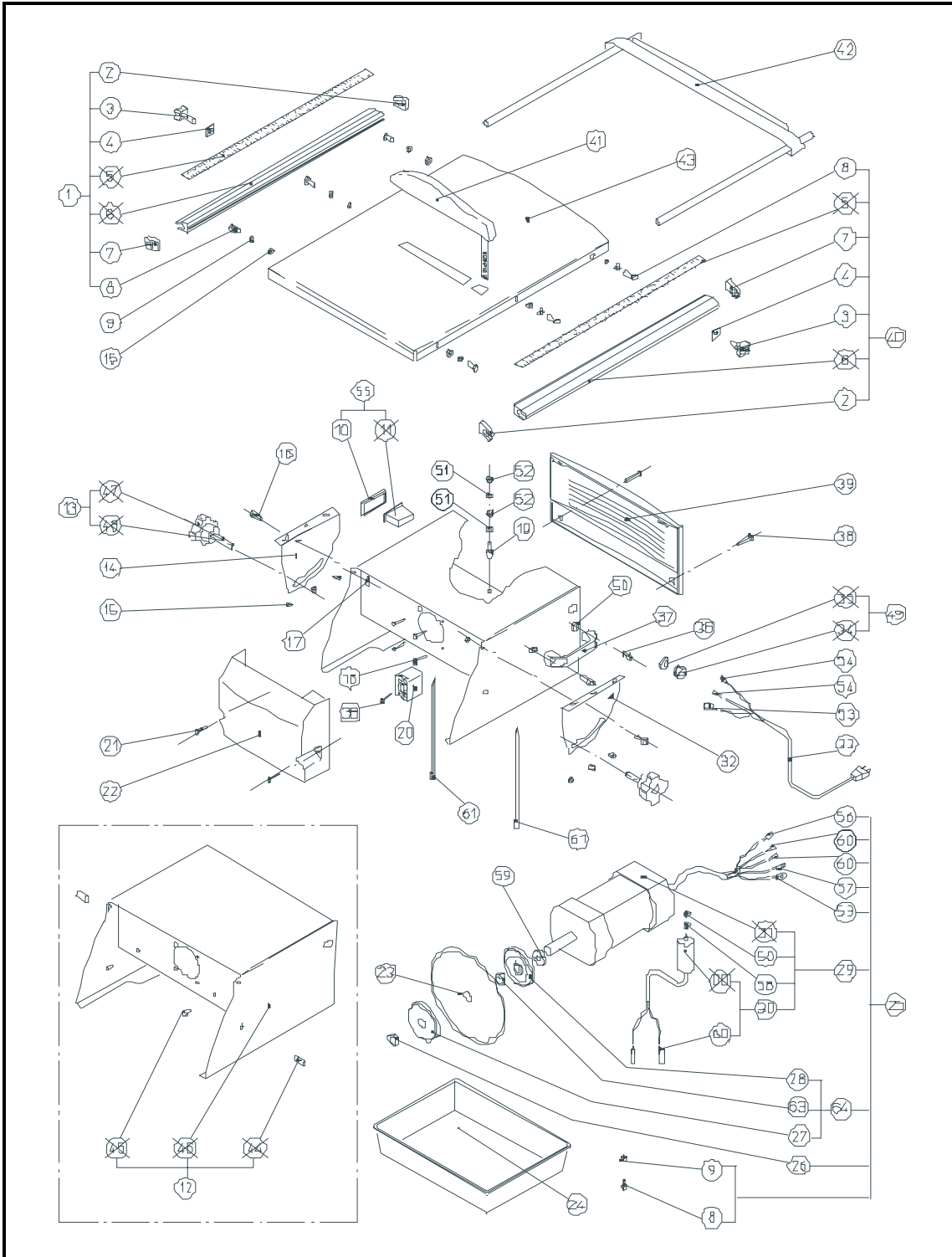
FECHA 24/02/03

REVISIÓN 3.12

GERMANS BOADA S.A

Queda reservado el derecho a introducir cualquier modificación técnica sin previo aviso.

We reserve the right to introduce any technical modification without previous notice.



 GERMANS BOADA S.A.	<h2>DIAMANT ND-200</h2> <p>REF.45910, 45.911,45.915,45.916,45.917,45.918,45.919,45.935</p>	FECHA 24/02/03 REVISIÓN 3.12
	<small>Queda reservado el derecho a introducir cualquier modificación técnica sin previo aviso.</small>	<small>We reserve the right to introduce any technical modification without previous notice.</small>

DENOMINACIÓN / DESCRIPTION
DIAMANT ND-200

Referencia / Reference: 45910, 45.911,45.915,45.916,45.917,45.918,45.919,45.935

POS.	Ref.	DESIGNACIÓN	CANTIDAD	POS.	Ref.	DESIGNACIÓN	CANTIDAD
POS.	Ref.	DESCRIPTION	QUANTITY	POS.	Ref.	DESCRIPTION	QUANTITY
1	45859	CONJ. REGLA ANTERIOR ND-200 FORWARD RULER ND-200 SET	1	24	45327	CUBETA ND-180/200 TANK ND-180/200	1
2	45318	TAPA IZQ. PERFIL ALUMINIO LEFT COVER ALUMIN. PROFILE	1	25	45403	CONJ. MOTOR ND-200 230V 50Hz MOTOR SET ND-200 230V 50 Hz	1
3	17021	POMO M6X10 ROJO RED M6X10 POME	1	25	45404	CONJ. MOTOR ND-200 230V 60Hz MOTOR SET ND-200 230V 60 Hz	1
4	45340	TUERCA CUADRADA M6 10X15 M6 10X15 SQUARE NUT	2	25	45405	CONJ. MOTOR ND-200 120V 50Hz MOTOR SET ND-200 120V 50 Hz	1
7	45319	TAPA DERECHA PERFIL ALUMIN. RIGHT COVER ALUMIN. PROFILE	1	25	45406	CONJ. MOTOR ND-200 120V 60Hz MOTOR SET ND-200 120V 60 Hz	1
8	16089	TORN.DIN 933 M6X10 ZINC. SCREW DIN933 M6X10 ZN	1	25	45422	CONJ. MOTOR ND-200 120V 60Hz "A" MOTOR SET ND-200 120V 60 Hz "A"	1
9	45340	TUERCA M6 10X15 CUADRADA NUT M6 10X15 SQUARE	1	25	45423	CONJ. MOTOR ND-200 220V 60Hz "A" MOTOR SET ND-200 220V 60 Hz "A"	1
10	40054	CAPUCHON PROTECC. SWITCH PROTECTION CAP	1	26	45349	TUERCA DIN6923 M12 BICROMAT NUT DIN 6923 M12 8.8 BICROMAT	1
12	45409	CONJ. CHASIS ND-200 CHASSIS ND-200 SET	1	27	45329	PLATO EXT.13,5x25,5x90 EXTERNAL PLATE 13,5x25x90	1
13	45872	CONJ. POMO M8X13 ROJO V2 RED M8X13 POME SET V2	2	27	45441	PLATO EXT.13,5x16x90 "A" EXTERNAL PLATE 13,5x16x90 "A"	1
14	45558	ARTICULACIÓN IZQ. MESA LEFT TABLE JOINT	1	28	45428	PLATO INT.13X25,4X90 INTERNAL PLATE 13X25,4X90	1
15	70104	TUERCA DIN6923 M5 BICROMAT. NUT DIN6923 M5 BICROMATED	10	28	45430	PLATO INT. 13X15,8X90 "A" INTERNAL PLATE 13X15,8X90 "A"	1
16	16089	TORNILLO M6X10 DIN 933 ZN SCREW M6X10 ALLEN DIN 933 ZN	2	29	45460	MOTOR ND-200 0,5CV 230V 50Hz MOTOR ND-200 0,5CV 230V 50Hz	1
17	40020	TUERCA DIN 985 M6 AUTOBL. ZN SELF-LOCKING NUT M6 DIN985 ZN	2	29	45461	MOTOR ND-200 0,5CV 230V 60Hz MOTOR ND-200 0,5CV 230V 60Hz	1
18	15130	TORN. DIN 933 M8X15 ZINC. SCREW DIN 933 M8X15 ZINC.	4	29	45462	MOTOR ND-200 0,5CV 120V 50Hz MOTOR ND-200 0,5CV 120V 50Hz	1
19	45331	TORN. DIN7985 M4X15 ZINC. SCREW DIN7985 M4X15 ZINC	1	29	45463	MOTOR ND-200 0,5CV 120V 60Hz MOTOR ND-200 0,5CV 120V 60Hz	1
20	45315	SOPORTE SABLE ND-180/200 SABLE SUPPORT ND-180/200	1	30	45070	CONDENSADOR 16MF 400V 50/60HZ CONDENSER 16MF 400V 50/60HZ	1
21	45335	TORN. DIN7985 M4X25 ZINC NUT DIN 7985 M4X25 ZINC	2	30	55040	CONDENSADOR 60MF 250V 50/60HZ CONDENSER 60MF 250V 50/60HZ	1
22	45426	TAPA DISCO ND-200 DISK PROFILE ND-200	1	32	45559	ARTICULACION DCHA. MESA RIGHT TABLE JOINT	1
23	-----	DISCO DIAMANTE D180XD22,2 DIAMANT DISK D.180XD. 22,2	1	33	50201	ENCHUFE CABLE 3X1,5 2M CABLE PLUG 3X1,5 2M	1

 GERMANS BOADA S.A.	<h2>DIAMANT ND-200</h2>	FECHA 24/02/03
	REF.45910, 45.911,45.915,45.916,45.917,45.918,45.919,45.935	REVISIÓN 3.12
<small>Queda reservado el derecho a introducir cualquier modificación técnica sin previo aviso.</small>		<small>We reserve the right to introduce any technical modification without previous notice.</small>

DENOMINACIÓN / DESCRIPTION

DIAMANT ND-200

Referencia / Reference: 45910, 45.911,45.915,45.916,45.917,45.918,45.919,45.935

POS.	Ref.	DESIGNACIÓN	CANTIDAD	POS.	Ref.	DESIGNACIÓN	CANTIDAD
POS.	Ref.	DESCRIPTION	QUANTITY	POS.	Ref.	DESCRIPTION	QUANTITY
33	50172	ENCHUFE CABLE 230V 3X1,5 2M UK CABLE PLUG 230V 3X1,5 2M UK	1	56	60037	HEMBRA COPAIN T-PF 2,8 ROJA CONNECTOR SOCKET COPAIN	1
33	45079	ENCHUFE CABLE 120V 3X1,5 2M UK CABLE PLUG 120V 3X1,5 2M UK	1	57	56206	TERMIN. ENCHUFABLE MIXTO CONNECTOR TERMINAL MIXED	1
33	50190	ENCH. CABLE 230V 3X1,5 3M CH CABLE PLUG 230V 3X1,5 3M CH	1	58	45050	ARANDELA DIN 6798 A8,5 PVN INT. SERRAT. WASHER A8,5 PVN	1
33	50189	ENCH.CABLE 230V 3X1,5 3,5M "A" CABLE PLUG 230V 3X1,5 3,5M "A"	1	59	45015	RETÉN MOTOR ND-200 MOTOR STOPPER ND-200	1
36	16091	TORNILLO DIN 912 M8X25 ZN SCREW DIN 912 M8X25 ZN	2	60	45075	EMPALME COPAIN TR-402 1,5X26 CONNECTOR COPAIN TR-402 1,5X26	2
37	45342	ASA PLÁSTICO PLASTIK HANDLE	1	61	57014	BRIDA COPAIN KB-280N FLANGE COPAIN KB-280N	2
38	45336	TORN. DIN 7981 M3,9X13 ZINC SCREW DIN 7981 M3,9X13 ZINC	3	63	45432	CASQ.PLATO 15,8 25,4 "A" WHEEL COLLAR PLATE 15,8 25,4 "A"	1
39	45325	TAPA MOTOR ND-180/200 MOTOR PROFILE ND-180/200	1	63	45432	CASQ.PLATO 15,8 25,4 "A" WHEEL COLLAR PLATE 15,8 25,4 "A"	0
40	45853	CONJ. REGLA POSTERIOR ND-200 REWARD RULER ND-200 SET	1	64	45802	CJ.PLATOS ND-200 DISK PLATES SET ND-200	1
41	45561	CJ. PROTEC. DISC. ND-180/200 PROTEC. DISK SET ND-180/200	1	64	45803	CJ.PLATOS DS-230/ND-200 "A" DISK PLATES SET DS-230/ND-200 "A"	1
42	45424	TOPE LATERAL ND-200 LATERAL STOP ND-200	1				
43	45411	CONJ. MESA ND-200 TABLE SET ND-200	1				
49	45377	CONJ. PRENSAESTOPA PG11 TOW PRESS SET PG11	1				
50	45055	TUERCA DIN934 M8 ZINC NUT DIN 934 M8 ZINC	2				
51	45343	ARAN. DIN 6798 A4,3X8 WASHER DIN 6798	2				
52	45522	TUERCA DIN 934 M4 ZINC NUT DIN 934 M4 ZINC	2				
53	50170	TERMINAL COPAIN TA 104 2,5x4,3 TERMINAL COPAIN TA 104 2,5x4,3	1				
54	60097	HEMBRA COPAIN T-FA 2,5x6,3 CONNECTOR SOCKET COPAIN	2				
55	45378	CONJ.INTERRUPTOR 230V SWITCH SET 230V	1				
55	45402	CONJ. INTERRUPTOR 120V SWITCH SET 120V	1				