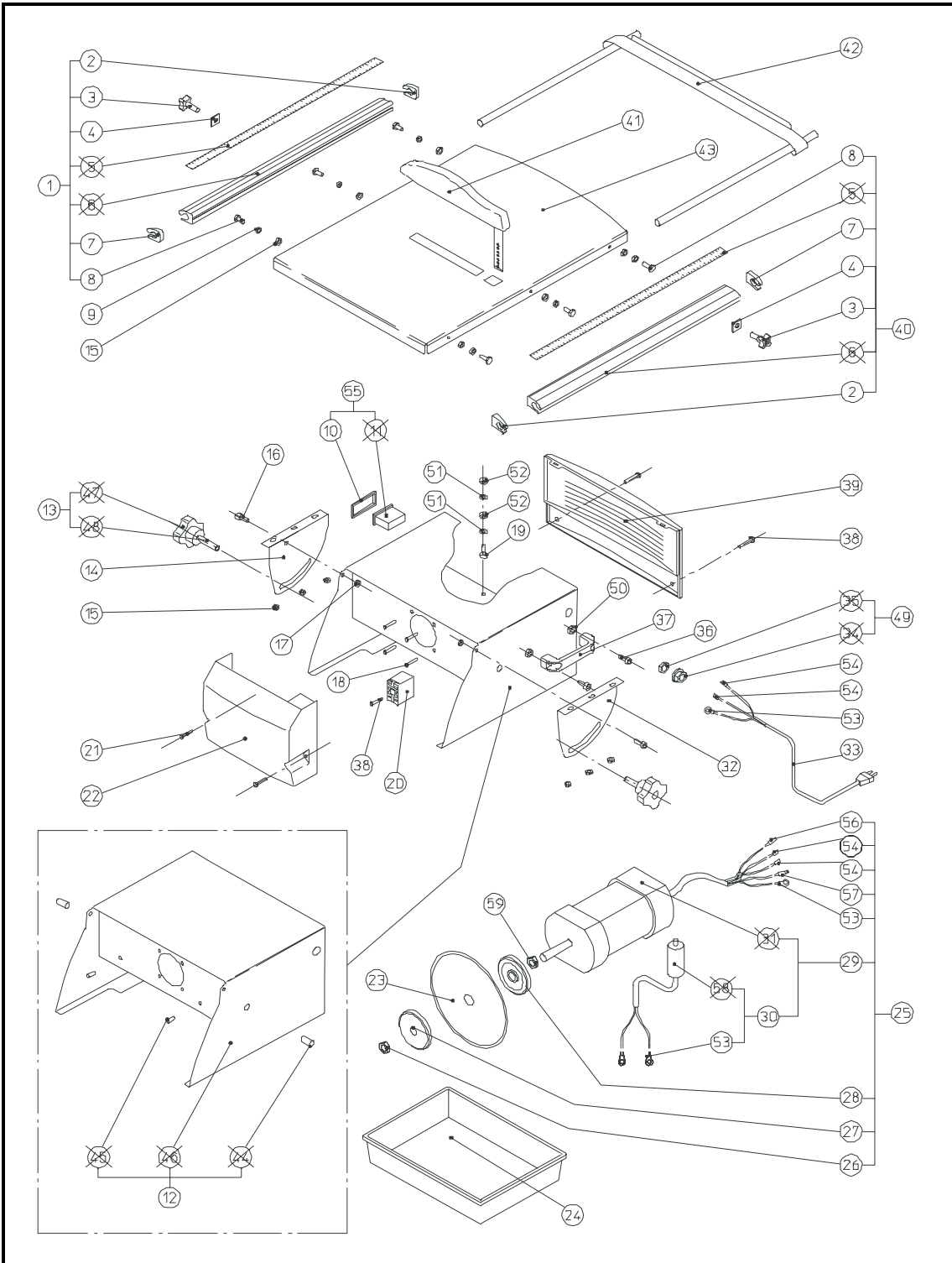
 GERMANS BOADA S.A.	<h2>DIAMANT ND-180</h2> <p>REF. 45.900,45.901,45.905,45.906,45.907,45.908,45.909,45.936</p> <p><small>Queda reservado el derecho a introducir cualquier modificación técnica sin previo aviso.</small></p>	<p>FECHA 07/02/03</p> <p>REVISIÓN 3.8</p> <p><small>We reserve the right to introduce any technical modification without previous notice.</small></p>



Parts-List ND-180


 GERMANS BOADA S.A.	<h1>DIAMANT ND-180</h1> <p>REF. 45.900,45.901,45.905,45.906,45.907,45.908,45.909,45.936</p>	FECHA 07/02/03 REVISIÓN 3.8
	<small>Queda reservado el derecho de introducir cualquier modificación técnica sin previo aviso.</small>	<small>We reserve the right to introduce any technical modification without previous notice.</small>

DENOMINACIÓN / DESCRIPTION
DIAMANT ND-180

Referencia / Reference: 45.900,45.901,45.905,45.906,45.907,45.908,45.909,45.936

POS.	Ref.	DESIGNACIÓN	CANTIDAD	POS.	Ref.	DESIGNACIÓN	CANTIDAD
POS.	Ref.	DESCRIPTION	QUANTITY	POS.	Ref.	DESCRIPTION	QUANTITY
1	45858	CONJ. REGLA ANTERIOR ND-180 FORWARD RULER ND-180 SET	1	24	45327	CUBETA ND-180/200 TANK ND-180/200	1
2	45318	TAPA IZQ. PERFIL ALUMINIO LEFT COVER ALUMIN. PROFILE	1	25	45376	CONJ. MOTOR ND-180 230V 50Hz MOTOR SET ND-180 230V 50 Hz	1
3	17021	POMO M6X10 ROJO RED M6X10 POME	1	25	45379	CONJ. MOTOR ND-180 230V 60Hz MOTOR SET ND-180 230V 60 Hz	1
4	45340	TUERCA CUADRADA M6 10X15 M6 10X15 SQUARE NUT	2	25	45400	CONJ. MOTOR ND-180 120V 50Hz MOTOR SET ND-180 120V 50 Hz	1
7	45319	TAPA DERECHA PERFIL ALUMIN. RIGHT COVER ALUMIN. PROFILE	1	25	45401	CONJ. MOTOR ND-180 120V 60Hz MOTOR SET ND-180 120V 60 Hz	1
8	45341	TORN.DIN 933 M5X16 ZINC. SCREW DIN933 M5X16	6	26	45349	TUERCA DIN6923 M12 8.8 BICROMAT. NUT DIN 6923 M12 8.8 BICROMAT.	1
9	45320	DISTANCIADOR MESA ND DISTANCE TABLE ND	4	27	57453	PLATO EXT. 13,5x22,4x90 EXTERNAL PLATE 13,5x22,4x90	1
10	40054	CAPUCHON PROTECC. SWITCH PROTECTION CAP	1	27	45441	PLATO EX.13,5x16x90 USA EXTERNAL PLATE 13,5x16x90 USA	1
12	45309	CONJ. CHASIS ND-180 CHASSIS ND-180 SET	1	28	45328	PLATO INT. 13x22,2x90 INTERNAL PLATE 13x22,2x90	1
13	45872	CONJ. POMO M8X13 ROJO V2 RED M8X13 POME SET V2	2	28	45436	PLATO INT. 13x15,8x90 + CASQUILLO INTERNAL PLATE 13x15,8x90+COLLAR	1
14	45558	ARTICULACIÓN IZQ. MESA LEFT TABLE JOINT	1	29	45350	MOTOR ND-180 0,5CV 230V 50Hz MOTOR ND-180 0,5CV 230V 50Hz	1
15	70104	TUERCA DIN6923 M5 BICROMAT. NUT DIN6923 M5 BICROMATED	12	29	45351	MOTOR ND-180 0,5CV 230V 60Hz MOTOR ND-180 0,5CV 230V 60Hz	1
16	45043	TORNILLO M6X10 ALLEN DIN 912 SCREW M6X10 DIN 912 ZN	2	29	45352	MOTOR ND-180 0,5CV 120V 50Hz MOTOR ND-180 0,5CV 120V 50Hz	1
17	40020	TUERCA DIN 985 M6 AUTOBL. ZN SELF-LOCKING NUT M6 DIN985 ZN	2	29	45353	MOTOR ND-180 0,5CV 120V 60Hz MOTOR ND-180 0,5CV 120V 60Hz	1
18	45337	TORN. DIN 933 M5X10 ZINC. SCREW DIN 933 M5X10 ZINC.	4	30	45354	CONDENSADOR ND-180 450V 12,5uF CONDENSER ND-180 450V 12,5uF	1
19	45331	TORN. DIN7985 M4X15 ZINC. SCREW DIN7985 M4X15 ZINC	1	30	45355	CONDENSADOR ND-180 250V 60uF CONDENSER ND-180 250V 60uF	1
20	45315	SOPORTE SABLE ND-180/200 SABLE SUPPORT ND-180/200	1	32	45559	ARTICULACION DCHA. MESA RIGHT TABLE JOINT	1
21	45335	TORN. DIN7985 M4X25 ZINC NUT DIN 7985 M4X25 ZINC	2	33	50201	ENCHUFE CABLE 3X1,5 2M CABLE PLUG 3X1,5 2M	1
22	45326	TAPA DISCO ND-180 DISK PROFILE ND-180	1	33	50172	ENCHUFE CABLE 230V 3X1,5 2M UK CABLE PLUG 230V 3X1,5 2M UK	1
23	30045	DISCO DIAMANTE D180XD22,2 DIAMANT DISK D.180XD. 22,2	1	33	45079	ENCHUFE CABLE 110V 3X1,5 2M UK CABLE PLUG 120V 3X1,5 2M UK	1

Parts-List ND-180

 GERMANS BOADA S.A.	<h2>DIAMANT ND-180</h2> <p>REF. 45.900,45.901,45.905,45.906,45.907,45.908,45.909,45.936</p> <p><small>Queda reservado el derecho a introducir cualquier modificación técnica sin previo aviso.</small></p>	<p>FECHA 07/02/03</p> <p>REVISIÓN 3.8</p> <p><small>We reserve the right to introduce any technical modification without previous notice.</small></p>

DENOMINACIÓN / DESCRIPTION
DIAMANT ND-180

Referencia / Reference: 45.900,45.901,45.905,45.906,45.907,45.908,45.909,45.936

POS.	Ref.	DESIGNACIÓN	CANTIDAD	POS.	Ref.	DESIGNACIÓN	CANTIDAD
POS.	Ref.	DESCRIPTION	QUANTITY	POS.	Ref.	DESCRIPTION	QUANTITY
33	50190	ENCH. CABLE 230V 3X1,5 3,5M CH	1	57	56206	TERMIN. ENCHUFABLE MIXTO	1
		CABLE PLUG 230V 3X1,5 3,5M CH					
33	50189	ENCH. CABLE 230V 3X1,5 3,5M USA	1	59	45017	RETEN V-RING VA-16	1
		CABLE PLUG 230V 3X1,5 3,5M USA					
33	50231	ENCH. CABLE 3X2 2,8 CSA	1				
		CABLE PLUG 3X2 2,8 CSA					
36	16091	TORNILLO DIN 912 M8X25 ZN	2				
		SCREW DIN 912 M8X25 ZN					
37	45342	ASA PLÁSTICO	1				
		PLASTIK HANDLE					
38	45336	TORN. DIN 7981 M3,9X13 ZINC	3				
		SCREW DIN 7981 3,9X13 ZINC					
39	45325	TAPA MOTOR ND-180/200	1				
		MOTOR PROFILE ND-180/200					
40	45852	CONJ. REGLA POSTERIOR ND-180	1				
		REWARD RULER ND-180 SET					
41	45561	CJ. PROTEC.. DISC. ND-180/200	1				
		PROTEC. DISK SET ND-180/200					
42	45324	TOPE LATERAL ND-180	1				
		LATERAL STOP ND-180					
43	45311	CONJ. MESA ND-180	1				
		TABLE SET ND-180					
49	45377	CONJ. PRENSAESTOPA PG11	1				
		TOW PRESS SET PG11					
50	45055	TUERCA DIN934 M8 ZINC	2				
		NUT DIN 934 M8 ZINC					
51	45343	ARAN. DIN 6798 A4,3X8	2				
		WASHER DIN 6798					
52	45522	TUERCA DIN 934 M4 ZINC	2				
		NUT DIN 934 M4 ZINC					
53	50170	TERMINAL COPAIN TA 104 2,5x4,3	1				
		TERMINAL COPAIN TA 104 2,5x4,3					
54	60097	HEMBRA COPAIN T-FA 2,5x6,3	2				
		CONNECTOR SOCKET COPAIN					
55	45378	CONJ. INTERRUPTOR 230V	1				
		SWITCH SET 230V					
55	45402	CONJ. INTERRUPTOR 120V	1				
		SWITCH SET 120V					
56	60037	HEMBRA COPAIN T-PF 2,8 ROJA	1				
		CONNECTOR SOCKET COPAIN					