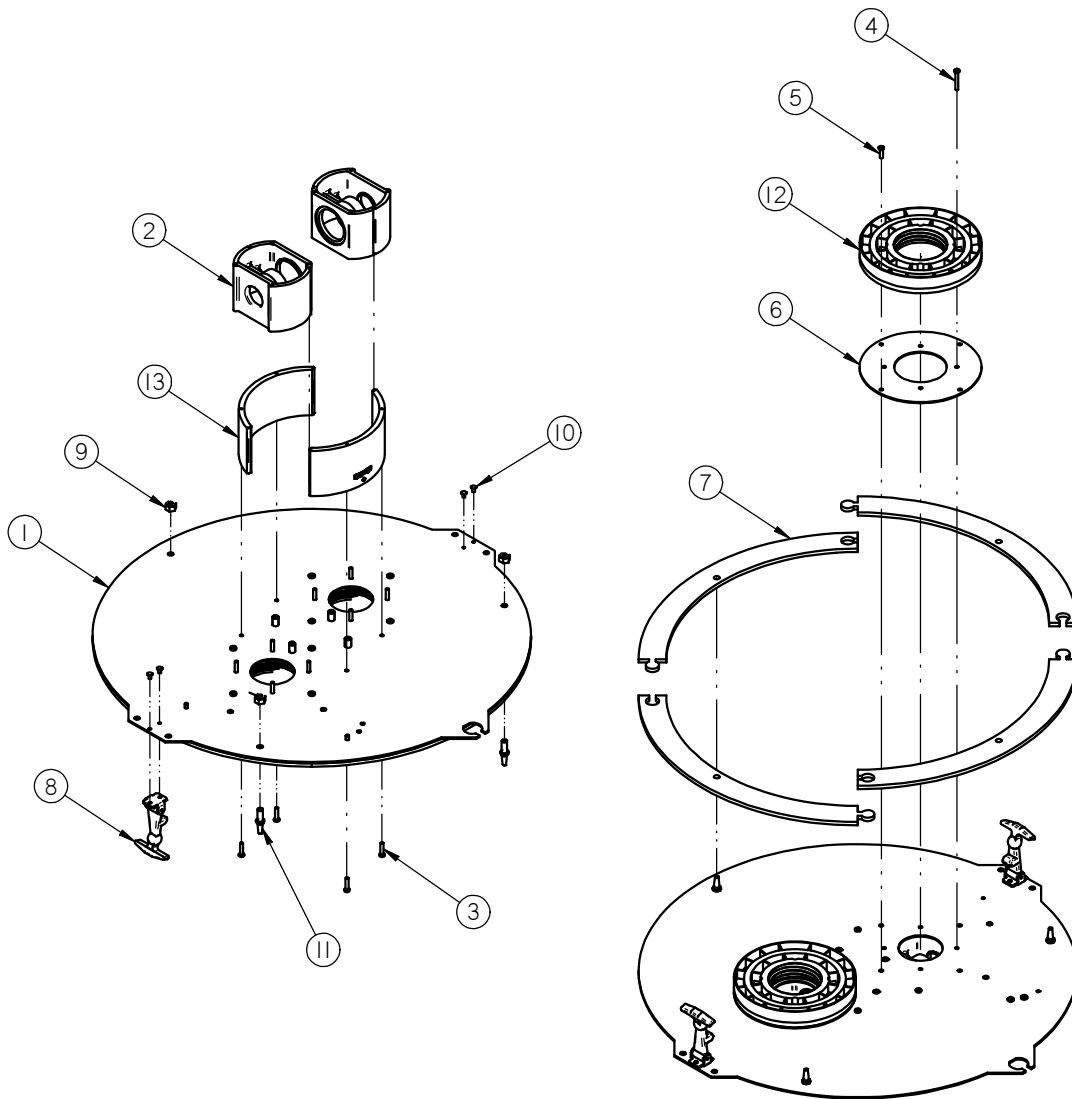


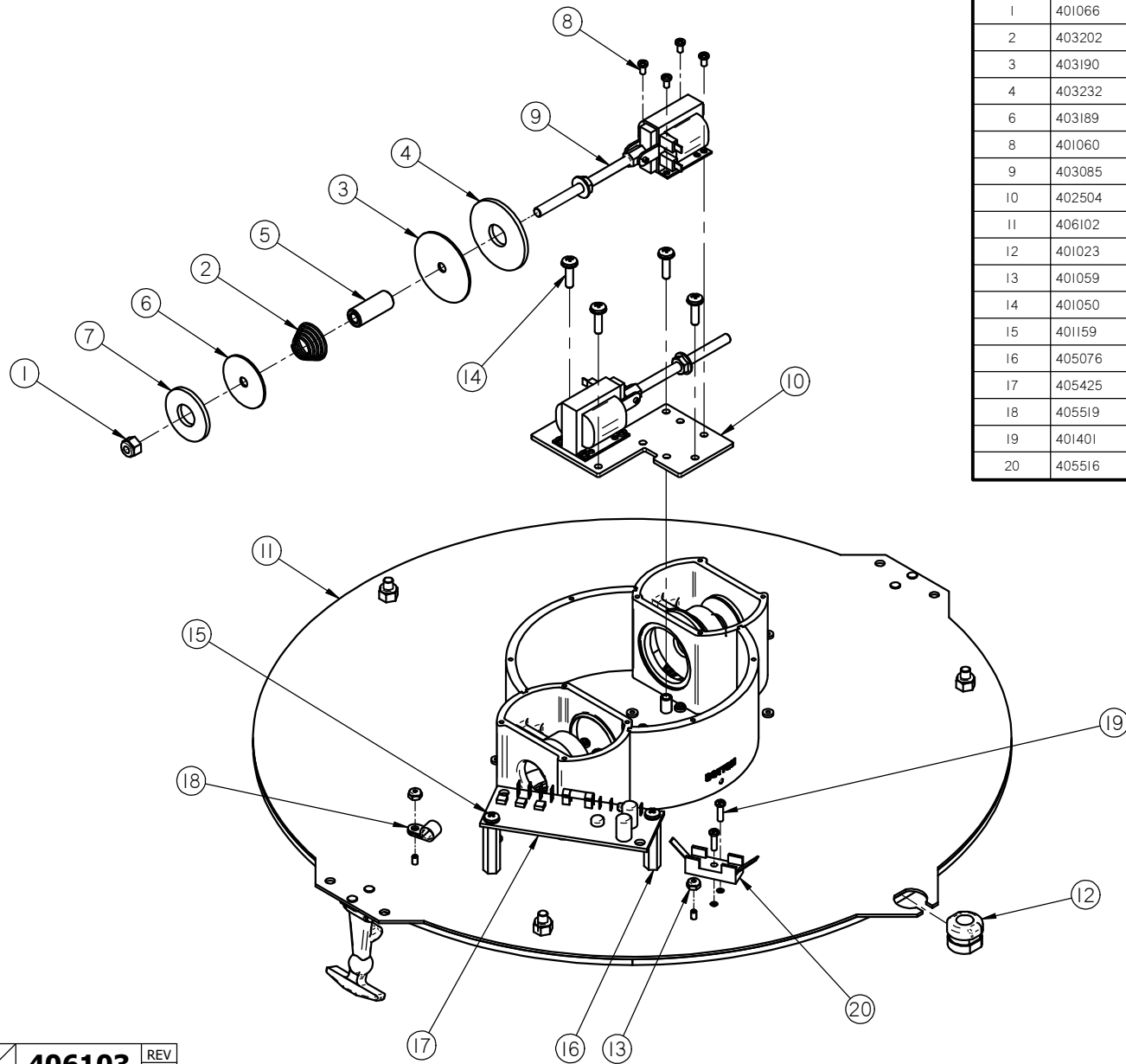
BILL OF MATERIALS				
ITEM	P/N	REV	DESCRIPTION	QTY
1	403352	C	BASE PLATE PRE-ASSM FINAL	1
2	403119	A	PLENUM COVER / MOTOR MOUNTING PLATE, PBI300	1
3	401063		SCREW, #6-5/8, FLT HD	6
4	405440A	A	MOTOR WIRING ASSY, 1050 110V	1
5	403135	D	BRACKET, MOTOR MOUNTING, PERIPHERAL BYPASS	2
6	403115		GASKET, MOTOR CLAMP 1/8" PORON	2
7	401052		NUT, 10-32 NYLON INSERT GRADE 2	2
8	405112		BOLT, #10-32 X 0.50, LRG FLG, BLK COATED	4
9	403391	A	DUCT, MOTOR INLET AIR (POLYCARBONATE)	1
10	403392		FILTER, MOTOR INLET AIR	1
11	403372	E	TOP COVER ASSEMBLY FOR BYPASS MOTOR	1
12	403461	A	DIFFUSER, MOTOR EXHAUST	1
13	403396		FOAM, SOUND ABSORBING, 40PPI	2
14	401075		RIVET, 1/8", 126" x .187" GP RG x .38"LG	4

2/3 403370 REV J



BILL OF MATERIALS

ITEM	P/N	DESCRIPTION	QTY
1	406079	BASE PLATE, NEW 1050 122209-18	1
2	403272	HOUSING, VALVE INJECTED	2
3	401064	SCREW, 6-19 X .625" HIGH LOW	4
4	401401	SCREW, 6-32 X .50" PAN HEAD	8
5	402402	SCREW, 6-19 X .75" THREAD FORM	8
6	403435	SEAL, FILTER RECEIVER	2
7	403031	GASKET, 1000 BASE PLATE	4
8	401018	LATCH, RUBBER DRAW	2
9	401066	NUT, 1/4-20 NYLON LOCK	3
10	401075	RIVET, 1/8" ALUMINUM, 126-187 DOME	4
11	403040	PIN, TANK ALIGNMENT	3
12	403234	RECEIVER TWIST ON FILTER	2
13	402525	PLENUM, HALF, PB550	2

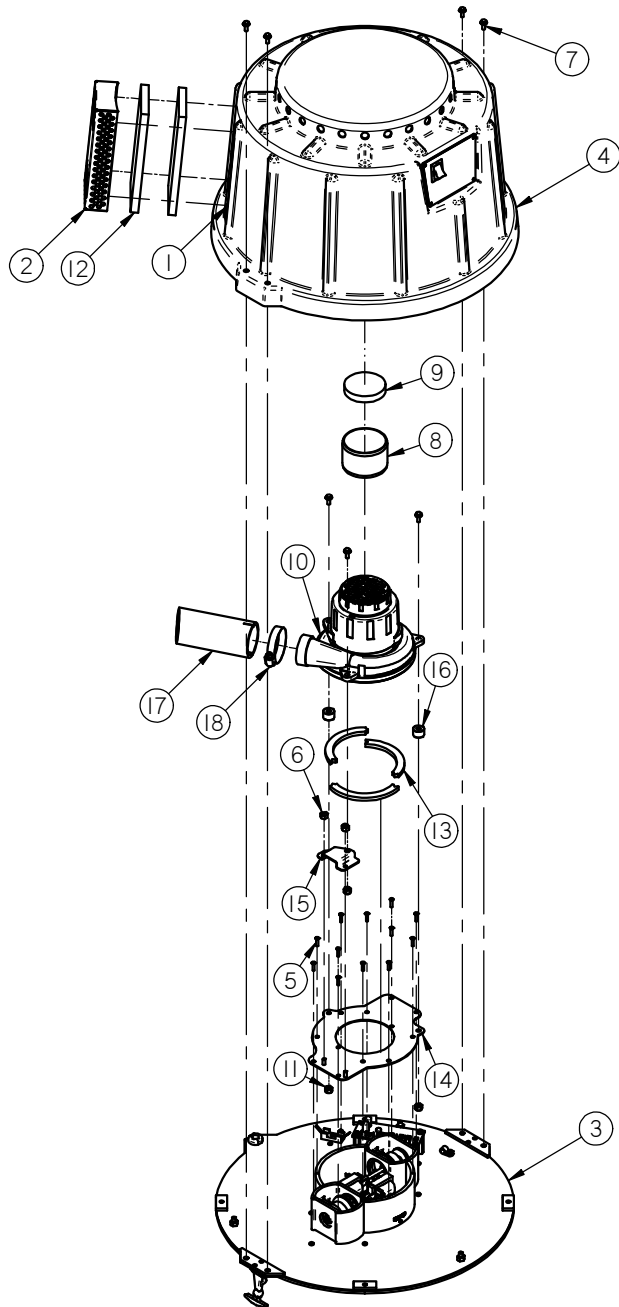


BILL OF MATERIALS

ITEM	P/N	DESCRIPTION	QTY
1	401066	NUT, 1/4-20 NYLON LOCK	2
2	403202	SPRING, VALVE INTERNALS	2
3	403190	WASHER, LARGE VALVE ALUMINUM	2
4	403232	GASKET, VALVE LARGE	2
6	403189	WASHER, SMALL VALVE ALUMINUM	2
8	401060	SCREW, 6-32 X .250" FILLISTER	8
9	403085	SOLENOID/ SPRING PIN ASSEMBLY, 1000	2
10	402504	SOLENOID PLATE ASSEMBLY, PB550 110	1
11	406102	BASE PLATE PRE-ASSEMBLY 1050RV2	1
12	401023	BUSHING, STRAIN REL 7L-2	1
13	401059	NUT, 6-32 NYLON LOCK	2
14	401050	SCREW, 10-32 X .75" SEMS	4
15	401159	SCREW, 10-32 X .375" SEMS ZINC	2
16	405076	STAND OFF, 3/8" HEX 10-32 X 1.5"	2
17	405425	CIRCUIT BOARD, 3 CHANNEL SMALL	1
18	405519	CLAMP, CABLE NYLON 1000 SERIES	1
19	401401	SCREW, 6-32 X .50" PAN HEAD	2
20	405516	FUSE BLOCK, SINGLE MOUNT 1000	1

2/2 **406103** REV -

CONFIDENTIAL



BILL OF MATERIALS

ITEM	P/N	DESCRIPTION	QTY
1	401075	RIVET, 1/8" ALUMINUM, 126-187 DOME	4
2	403461P-BLACK	DIFFUSER, 1000 EXHAUST, BLACK	1
3	406103	BASE PLATE W/ ELECTRICAL, I050RV2	1
4	403372	HOOD ASSEMBLY, PB1050, 110V	1
5	401063	SCREW, #6 X 5/8" FT SELF TAP, BLUNT POINT	12
6	401052	NUT, 10-32 NYLON INSERT GRADE2	2
7	405112	SCREW, 10-32 X .50" HEX FLANGE B0	7
9	403392	FILTER, MOTOR AIR INLET I050	1
10	406072A	MOTOR WIRING ASSEMBLY, I050 110V	1
11	401066	NUT, 1/4-20 NYLON LOCK	3
12	403396	FOAM, SOUND ABSORBING, 40PPI	2
13	403464	GASKET, MOTOR (3) MAKE ONE	3
14	406067rev_A	PLATE, MOTOR MOUNTING	1
15	406099rev_A	PLATE, MOUNTING	1
16	405149	MOUNT, 1/4"-20 DAMPING SANDWICH	2
17	403467CC	EXHAUST, MOTOR	1
18	405415	CLAMP, WORM GEAR 2"	1