

CORE DRILLING

OPERATIONS MANUAL



The contents of this Operations Manual are the copyright of the publisher and may not be reproduced, or extracted from, unless permission is formally granted. BYCON has composed this manual with accuracy. However, mistakes may occur or articles may be changed. BYCON is not responsible for mistakes or deviations of figures, graphics, or any other information found in this instruction manual.

INDEX

1. INTRODUCTION	2
2. GENERAL SAFETY	2
3. STARTING THE CORE DRILL RIG	2
4. STOPPING THE CORE DRILL RIG	3
5. MAINTENANCE	3
6. TECHNICAL PARAMETERS	4
7. EXPLODED VIEW AND PARTS LIST	4

1. INTRODUCTION

Important Information

This manual is written for users of the CD06 / 08 and contains information on setting up, operating, and maintaining the CD06 / 08. This manual is only applicable to the CD06 / 08 Core Drilling Machine. You will find the machine type designation on the type plate mounted on the machine.

2. GENERAL INFORMATION

Read through the operator's manual carefully and understand the contents before using the core drill rigs.

1. Warning! Do not wear loose clothing such as ties, rings, bracelets, or any other jewelry, as they could be caught by the machine during operation.
2. Always wear safe shoes with anti-skid soles, safety glasses, or a visor. A hairnet is recommended for long hair. Use face and dust mask when the drilling procedure is dusty.
3. Use the machine and its accessories exclusively for the work it's intended for.
4. For safety and efficiency in the workplace, inspect, clean and repair all equipment and take any damaged equipment out of service.
5. Check all fasteners to ensure that none are loose before switching ON.
6. For a stable and safe performance, please use the appointed or authorized core bits.
7. Do not leave the machine running unattended.
8. Do not, under any circumstance, touch the running core bits.
9. Ensure that all non-operators keep a safe distance from the machine, especially children.
10. To avoid accidents, the throttle should be in the idle state when the engine is running. This means that the clutch is in a state of separation to ensure that the core bit is not turning.
11. Do not use the machine indoors.
12. When the machine is in use, it should be more than 3 feet away from any flammable substances or materials.
13. Do not smoke or allow bare flames in the area around the machine while it is running.
14. Check the engine oil level before starting the machine. Do not start the engine if oil is missing.
15. Always switch OFF the engine before checking the oil level or re-oiling. In the horizontal position, the oil level in the oil Filler hole should be at least 5mm. Do not overflow when re-oiling.
16. Use oil grade: SAE 10W-30.
17. Check whether there is sufficient fuel before starting the machine.
18. Always switch OFF the engine before checking the fuel level or refueling. In the horizontal position, the fuel level in the fuel filler hole should be at least 10mm. Do not overflow when refueling.
19. Fuel grade: unleaded petrol, octane number 86 or any grade above.

20. Before switching ON, check that the air filter is clean, intact, and free of dirt.
21. Check core bits before switching ON to ensure that they connected correctly and there is no debris inside.
22. Check cooling system before switching ON to ensure smooth flow of cooling water.
23. It is important that you DO NOT start drilling without cooling water.

3. STARTING THE CORE DRILL MOTOR

When the safety instructions above have been read, start the core drill rig according to the following steps:

1. Switch engine turn-off device to the ON position.
2. If cooler start, shift the air valve to the CLOSED position (if the heater starts, the air valve can be directly shifted to the OPEN position).
3. Press the fuel pump several times until there is fuel in the fuel-return tube.
4. Open the cooling valve (small flow only), to be increased when drilling.
5. Adjust throttle valve to the appropriate position.
6. Adjust the machine location to ensure that the core bits (rotating part) do not make contact with any objects.
7. Pull starter handle lightly. Pull further until there is resistance to start the engine.
8. Adjust the throttle valve to enable the engine's idle state.
9. When the engine temperature increases, shift the air valve to the OPEN position.
10. Adjust the throttle valve to ensure the engine speed is in ideal position. Lock throttle position and start your work.

Note: Do not apply too much pressure while drilling: push machine appropriately with a constant power. Do not use machine in a dangerous environment. A messy work environment will lead to accidents.

4. STOPPING THE CORE DRILL MOTOR

Follow the steps below to stop the core drill motor:

1. Adjust throttle valve to enable the engine's idle state.
2. Switch engine turn-off device to the OFF position.
3. Turn off the cooling water switch.
4. Remove core bit once the engine is off.

5. MAINTENANCE

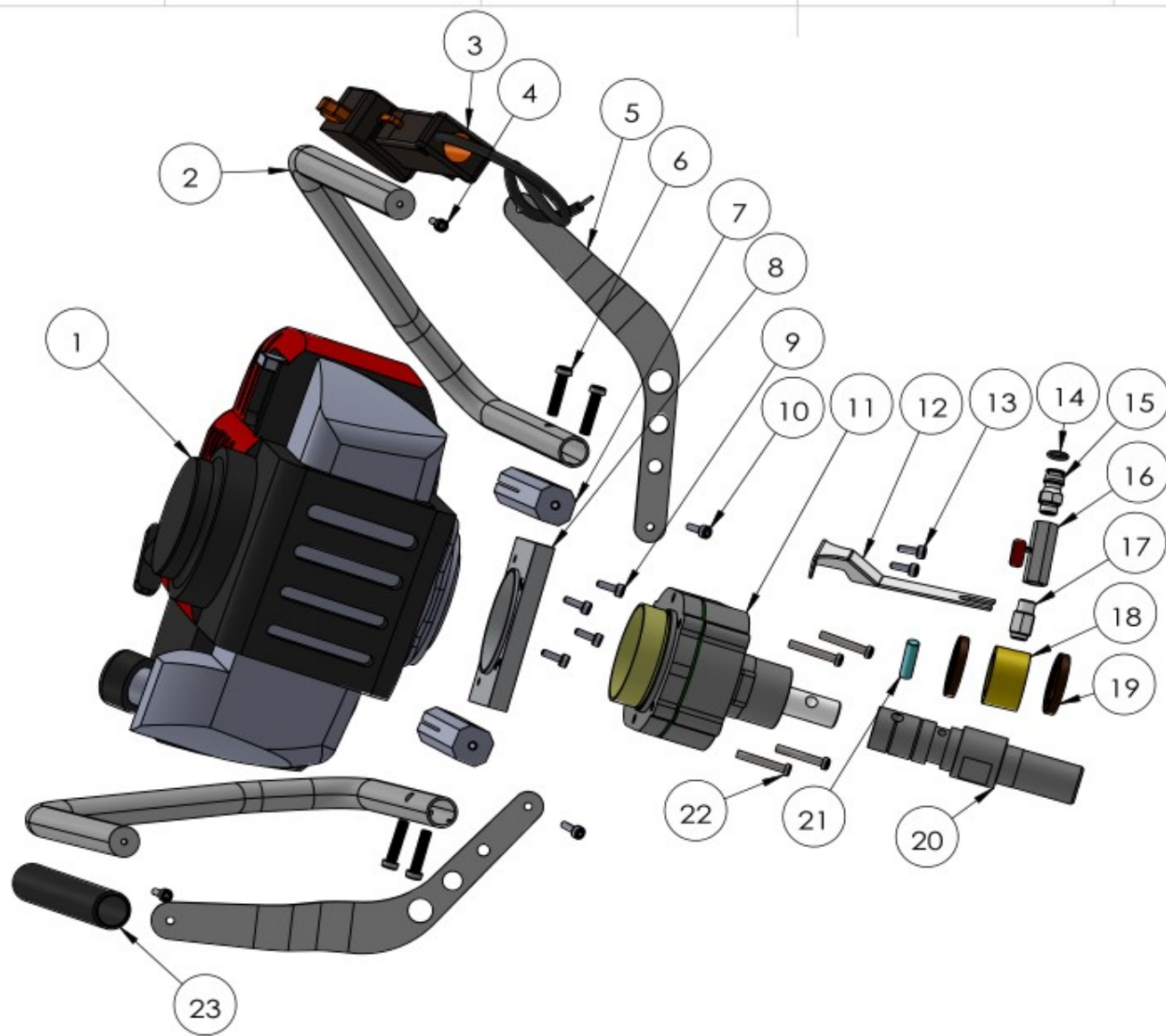
Maintenance for core drill motor:

1. After each use, rinse core bits immediately and air-dry.
2. The machine should be stored in a clean, dry, ventilated environment.
3. Engine oil must be changed after 10 hours of use for a new machine and after 50 hours every subsequent use.
4. After 100 hours use, inspect and remove the cumulative carbon on the engine spark plugs, then check and adjust spark plug gap to 0.6mm.
5. The regular maintenance of machines is necessary.

6. TECHNICAL PARAMETERS

MODEL	CD06	CD08
ENGINE	Single cylinder, air cooled, 4-stroke	Single cylinder, air cooled, 2-stroke
DISPLACEMENT	35.8CC	49.3CC
MAXIMUM POWER	1KW/777RPM	1.4KW/330RPM
MAXIMUM TORQUE	45N/m	45N/m
COOLING SYSTEM	FORCED AIR COOLING SYSTEM	FORCED AIR COOLING SYSTEM
SPARK PLUG	CMR5H (NGK)	CMR5H (NGK)
MAX. SPEED OF CORE BITS (W/ DECELERATION DEVICE)	350RPM	350RPM
MAX. CORE BIT DIAMETER	152MM	202MM
CORE BIT CONNECTING THREAD	G 1-1/4--7	G 1-1/4--7
WEIGHT	9.7KG	10.9KG

7. EXPLODED VIEW



8. PARTS LIST

NO.	Description	Item No.	Qty.s pcs
1	Engine		1
2	Handle	BKQYJ2018090101	2
3	Switch block		1
4	Inner hexagon screw	M6x20	2
5	Support plate	BKQYJ2018090102	2
6	Inner hexagon screw	M8x40	4
7	Mounting sleeve for handle	BKQYJ2018090103	2
8	Connecting plate	BKQYJ2018090104	1
9	Inner hexagon screw	M6x20	4
10	Inner hexagon screw	M6x20	2
11	Gearbox	BKQYJ2018090105	1
12	Baffle hexagon screw	BKQYJ2018090106	1
13	Inner hexagon screw	M6x15	2
14	O ring	16x3.1	1
15	1/4 Quick coupling	BKQYJ2018090108	1
16	1/4 valve		1
17	1/4 water tube connector		1
18	Water collecting ring	BKQYJ2018090109	1
19	TC Framework oil seal	35x50x8	2
20	Connection axle	BKQYJ2018090110	1
21	Cylindrical pin	8x35	1
22	Inner hexagon screw	M6x55	4
23	Handle cover	BKQYJ2018090111	1